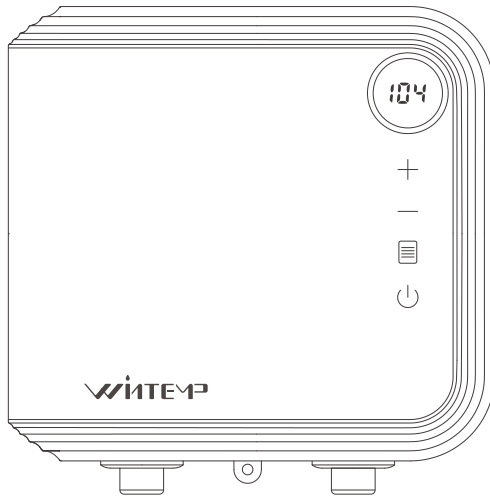


Tankless Electric Water Heater

Installation and instructions Manual



Model No.

KFU65

KFU135

Be sure to store this instruction manual in a secure location once your unit is set up. You might need to refer to it for general guidance or future maintenance.

Thank you for choosing a high-quality Mini electric water heater made in China. To make the most of your hot water experience, please take the time to thoroughly read this manual. Once you've gone through it, keep it nearby for future reference.

CONTENTS

- IMPORTANT SAFETY INSTRUCTIONS 2
- PRODUCT FEATURES 3
- PRODUCT INNER STRUCTURE 3
- ELECTRICAL DIAGRAM 4
- TECHNICAL DATA 5
- INSTALLATION GUIDELINE 5
- INSTALLATION METHOD 6
- OPERATION INSTRUCTIONS10
- TROUBLESHOOTING 11
- NORMAL MAINTENANCE12

WARNINGS

This isn't a DIY project. If this appliance isn't installed by a licensed plumber and electrician, it will void all warranties. Never attempt to install, repair, or take apart the tankless electric water heater without first cutting off all power to the unit at the circuit breaker box. Only licensed plumbing or electrical contractors are allowed to install this product indoors.

IMPORTANT SAFETY INSTRUCTIONS

WHEN USING ELECTRICAL APPLIANCES, ALWAYS FOLLOW BASIC SAFETY PRECAUTIONS, INCLUDING THE FOLLOWING:

- 1. INSTALLATION MUST COMPLY WITH THE NATIONAL ELECTRICAL CODE AND YOUR LOCAL ELECTRICAL AND PLUMBING CODES.**
- 2. THIS APPLIANCE MUST BE GROUNDED.**
3. Only install or place this water heater as directed in the provided installation instructions.
4. Use this water heater only for its intended purpose as described in this manual.
5. Have a qualified electrician properly install the unit.
6. This appliance is not intended for use by individuals (including children) with physical, sensory, or mental limitations, or lack of experience and knowledge, unless they are supervised or instructed by a responsible person regarding its use. Children should be supervised to prevent them from playing with the appliance.
7. This appliance **MUST** be permanently connected to a fixed circuit breaker and installed vertically. **DO NOT** install it near flammable materials or strong magnetic fields.
8. **DO NOT** turn on this appliance if you suspect it may be frozen, as this could cause serious damage. Wait until you are certain it has thawed completely before turning it on.
9. Before showering, test the outlet water temperature by hand to ensure it's safe to use and avoid scalding.
10. Before connecting pipes to the water heater hoses, it's crucial to **FLUSH** the pipes to remove any plumbing paste or residue.
11. If the wire is damaged, contact a qualified electrician to replace it with dedicated wire from our authorized dealers.
- 12. ONLY CONNECT TO A CIRCUIT PROTECTED BY A RECOGNIZED GROUND-Fault CIRCUIT INTERRUPTER (GFCI).**
- 13. CAUTION: FOR USE IN HOUSEHOLDS AND INDOORS ONLY.**
- 14. KEEP THIS INSTRUCTION MANUAL FOR REFERENCE.**

PRODUCT FEATURES

This Mini tankless electric water heater is different from conventional storage-type mini water heaters. It doesn't store hot water. Instead, water is heated instantaneously as it flows through the unit. The powerful heating elements are activated by a flow switch when water is drawn from a hot water faucet connected to the appliance. Because there's no standby loss, this mini heater is more energy efficient than storage-type water heaters. The unit is equipped with multiple safety devices and will continuously supply hot water as long as the faucet is open. Additionally, the unit has the following features:



Compact design and unlimited hot water supply.



High-strength ABS splash-proof casing, with UL-recognized heating element.



Tankless, instant heating for on-demand hot water, with no pre-heating and no standby heating loss. Energy-efficient.



Easy installation, the heater can be installed above or below the sink. Simple operation, providing hot water at a constant temperature.

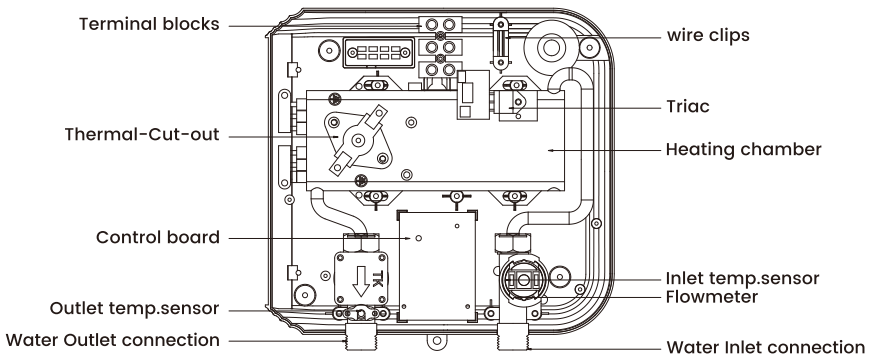


Microcomputer control, utilizing patented heating technology. Water is completely insulated from electricity by multiple layers of composite nano-insulation material.

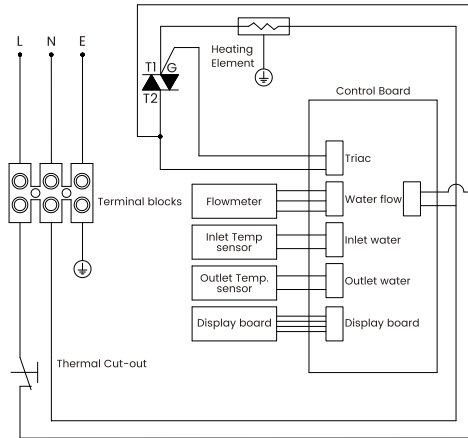


Over-temperature protection: when the outlet water temperature reaches or exceeds 167°F (75°C), the appliance prevents scalding and automatically starts working again when the temperature drops to a certain level.

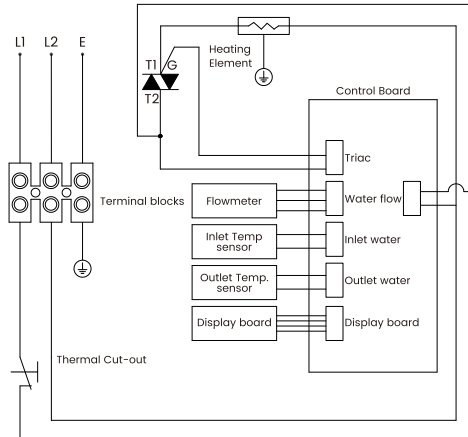
PRODUCT INNER STRUCTURE



ELECTRICAL DIAGRAM



3.5KW



6.5KW

TECHNICAL DATA

Model	KFU135	KFU65
Phase	1	
Voltage	120V	240V
Wattage	3500W	6500W
Rated Current	29.2A	27.1A
Min. required circuit breaker	30A	
Min. wire size	10 AWG	12 AWG
Min. water flow to activate unit	0.26GPM	0.4GPM
Product Dimension	230x230x72mm	
Water connections	1/2" NPT	

Note: When making supply connections, use conductors sized based on their ampacity but rated for a minimum of 167°F (75°C). Suitable recognized strain relief means must be provided during installation. Connect the product only to a circuit protected by a recognized ground-fault circuit interrupter (GFCI).

INSTALLATION GUIDELINE

The installation must adhere to the National Electrical Code as well as your local electrical and plumbing codes.

1. Ensure the appliance is undamaged and all fittings are complete.
2. Verify that the main power supply, water pressure, grounding condition, ammeter, and wire meet the installation requirements.
3. Connect the appliance to properly grounded dedicated branch circuits with the correct voltage rating. The ground must be connected to the "ground" at the circuit breaker panel.
4. This appliance **MUST** be permanently connected to a fixed circuit breaker. If you're not using the heater, please switch off the circuit breaker.
5. **DO NOT** install this appliance near flammable materials or strong magnetic fields. It can be installed above or below the sink, and it must only be mounted in a VERTICAL position near the water fittings. Make sure to test the machine after connecting the waterway and before applying electricity.

INSTALLATION METHOD

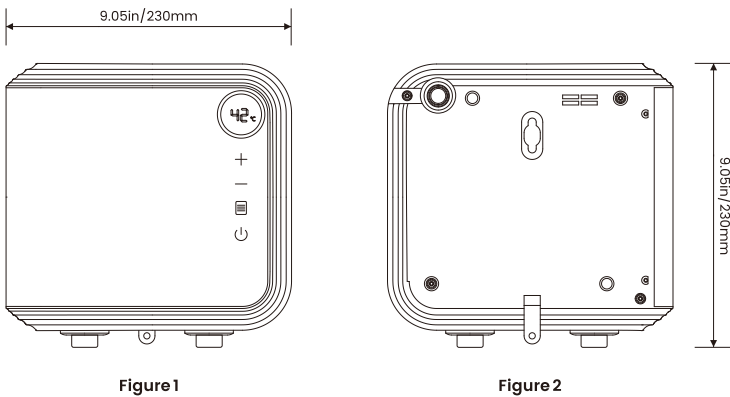
General:

The Mini tankless electric water heater can be used for hand washing, in the kitchen, and it can be installed above or below the sink.

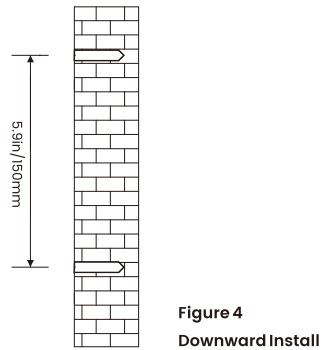
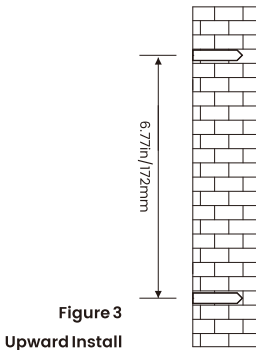
Mounting the unit:

Choose a suitable location on a section of wall as mentioned above.

Step 1: Refer to the front (Figure 1) and back (Figure 2) of the appliance.



Step 2: Drill two holes with a diameter of 0.236 inches (6mm). If you're installing the heater upright above the sink, the distance between each pair of holes should be 6.77 inches (172mm) (Figure 3); if you're installing the heater upside down under the sink, the distance between each pair of holes should be 5.9 inches (150mm) (Figure 4). Insert plastic anchors into the holes.



Step 3: For upright installation, nail the upper hole into the wall (**Figure 5**). For downward installation, nail the lower hole into the wall (**Figure 6**), then secure the appliance to the wall using the provided nail.

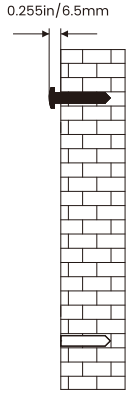


Figure 5
Upward Install

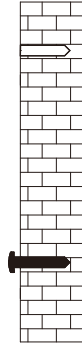


Figure 6
Downward Install

Step 4: Secure the appliance to the wall using the fixed nail (**Figure 7**)(**Figure 8**).

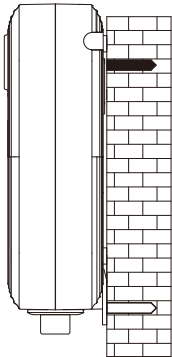


Figure 7
Upward Install

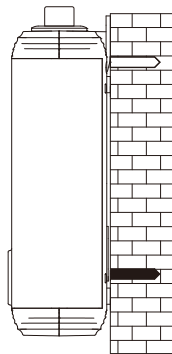


Figure 8
Upside down Install

Step 5: Next, use another nail to secure the appliance in the remaining hole, ensuring the entire appliance is firmly installed (**Figure 9**)(**Figure 10**).

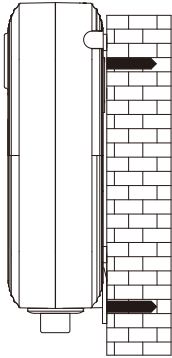


Figure 9
Upward Install

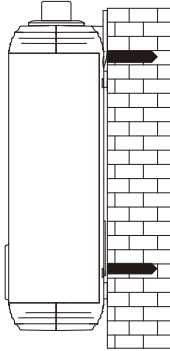
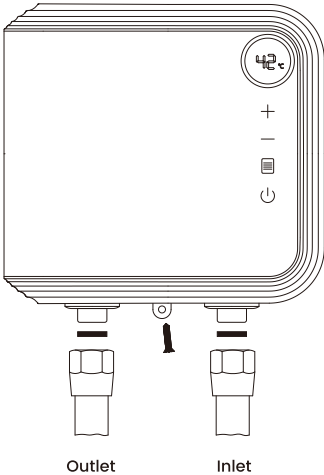


Figure 10
Upside down Install

Step 6: Connect the water pipe to the water inlet and outlet connections, and remember to install the rubber seal ring (**Figure 11**).

Figure 11










Water Connections :

1. All water pipes must adhere to national and applicable state and local water pipe codes.
2. Whether installing the appliance upright or upside down, connect the inlet connection (indicated by the blue arrow) to the cold water inlet pipe, and connect the outlet connection (indicated by the red arrow) to the hot water outlet pipe.
3. The unit should be directly connected to the main water supply. Flush the pipes with water to remove any debris or loose particles.
4. Use 1/2" NPT water connections to fit the appliance. Connect the inlet and outlet pipes accordingly.
5. Remember to install rubber seal rings at the connections. Once all water connections are completed, check for leaks and take corrective action if necessary before proceeding.

Electrical connection :

1. All electrical work must adhere to national and applicable state and local electrical codes.
2. Each unit must be connected to a properly grounded dedicated branch circuit with the correct voltage rating.
3. When feeding the cable to the terminal blocks or circuit breaker, ensure that the metal wire ends and the terminal blocks make full contact. Then tighten the screws securely to ensure proper current flow.
4. Before starting any electrical installation work, ensure that the main breaker panel switch is OFF to prevent the risk of electric shock. All mounting and plumbing work must be completed before proceeding with the electrical hook-up.

OPERATION INSTRUCTIONS

1. Turn on the circuit breaker to supply electrical power to the unit. The LED digital display screen will illuminate.
2. Turn on the water faucet for a few minutes until water flows continuously and all air is expelled from the water pipes. The unit must be operated after the breaker is turned on.
3. After the unit is powered, turn on the water, and the appliance will start working.
4. Turn off the water flow to stop the appliance. It is not necessary to press any key on the front panel to turn off the heater.
5. To turn  the appliance ON/OFF, simply touch the front panel. When the unit is ON, the LED displays the setting temperature for 2 seconds, then displays the actual outlet water temperature. If the unit stops operating for 15 seconds, the screen switches to the screen saver mode, and the display screen will turn off. If the screen is touched, it will light up again.
6. Use single touch  and  to adjust the outlet temperature. The temperature setting range is 30-55°C (86-131°F).
 - If the unit has been paused, there may be a short burst of very hot water when you turn it on again. Run the water for a few seconds to let the temperature settle down. Check the hot water temperature with your hand before using.
 - If the unit will not be used in winter, drain out water completely so that the heater will not be frozen.
 - Periodically clean the inlet strainer and spray head to maintain a free water flow.
7. In off mode,
 - Touch  and  simultaneously to flip the LED digital display upside down.
 - Long press  for 3 seconds to switch the temperature unit between Celsius and Fahrenheit.
8. The appliance has an automatic memory function to avoid repetitive operation. When you turn on the appliance, the default set temperature will be the same as the last time it was set.
9. The appliance has an adjustable power function. Touch and hold for 5 seconds  to enter the adjustable power setting menu. The default display shows the maximum power of the model. Set the power using the encoder, and it will display "PXX". The setting will be automatically saved and the menu will exit after 3 seconds.
10. The appliance has overheat protection. When the outlet temperature reaches 149°F (65°C), the appliance will enter pause mode. It will start working again automatically once the hot water temperature drops to 122°F (50°C).
11. The appliance has dry heating protection. When the hot water temperature reaches 167°F (75°C), the power will be cut off until the fault is resolved.
12. The appliance has real-time leakage detection. If there is an electrical leakage, the appliance will automatically stop working, and "E2" will appear on the LED screen.
13. Always check the hot water temperature with your hand before using.

TROUBLESHOOTING

Issue	Possible Reason	Solution
<p>The water heater isn't heating at all: water's flowing, but the unit isn't heating up, and the outgoing water is as cold as the supply. Plus, the digital display isn't lighting up.</p>	<p>No power or incorrect wiring.</p>	<p>Check if the breakers at the main electrical panel are ON. It could be a faulty breaker or the unit might be wired incorrectly.</p>
	<p>Damaged screen or poor connection.</p>	<p>If the screen's damaged or the connection's bad, replace the screen or reconnect the wire properly.</p>
<p>The water heater is heating, but the water temperature is not hot enough.</p>	<p>User temperature setting too low.</p>	<p>Crank up the temperature setting on the unit.</p>
	<p>Flow rate is too high.</p>	<p>Depending on your incoming water temperature and the power output of your model, your water flow may be too strong for the heater to keep up. Dial down the water flow.</p>
	<p>Mixing too much cold water.</p>	<p>You might be mixing in too much cold water with your tankless heater, especially if you're used to a conventional water heater. You might also have a faucet with an anti-scald feature that's mixing in extra cold water. These kinds of faucets can usually be adjusted to use less cold water.</p>
<p>Leakage in the joint of inlet and outlet pipe.</p>	<p>Poor connection of inlet and outlet pipe.</p>	<p>Reattach the pipe securely.</p>
	<p>The rubber washer is damaged.</p>	<p>Replace the rubber washer.</p>
<p>The water pressure is decreasing.</p>	<p>The inlet filter or shower is blocked by water impurities.</p>	<p>Remove the inlet pipe, clean the inlet filter/shower.</p>
<p>Water temperature is fluctuating.</p>	<p>The voltage or water pressure is unstable.</p>	<p>Ensure the voltage and water pressure return to normal levels.</p>

Error Display :

When the system encounters a failure, the fault code will be displayed on the screen as follows:

Error	Possible Reason	Solution
E1	Outlet temperature is over 167°F (75°C).	Lower the temperature setting.
		Increase the water flow rate.
E2	Electricity leakage.	Contact your local dealer for assistance.
E3	Loose connecting wire.	Make sure the connecting wire is plugged in securely.
	Inlet Temperature sensor failure.	Replace the temperature sensor.
E4	The connecting wire loose.	Tighten the connecting wire securely.
	Outlet Temperature sensor failure.	Replace the temperature sensor.
E5	Heating body surface temperature sensor failure.	Replace the temperature sensor.

NORMAL MAINTENANCE

NOTE: DO NOT attempt to repair this water heater yourself; call a service person for assistance. Before performing any maintenance operations, ensure that the power supply is shut off.

Regular maintenance is not required. However, to ensure consistent water flow, it is recommended to follow these maintenance steps:

1. Periodically remove scale and dirt that may accumulate at the aerator of the faucet or in the shower head.
2. Clean the built-in filter screen at the inlet connection from time to time. Make sure to turn off the water flow before doing this.

Packing list :

Item	Unit	Quantity
Electric Water Heater	Unit	1
Rubber plugs and screw	Set	1
Operation and Installation instructions	Copy	1

Our official website address
www.wintempshop.com

Install QR code



To obtain the benefit of this warranty, please email
support@wintempshop.com.
We will address your issue as soon as possible!



Intertek
4002422